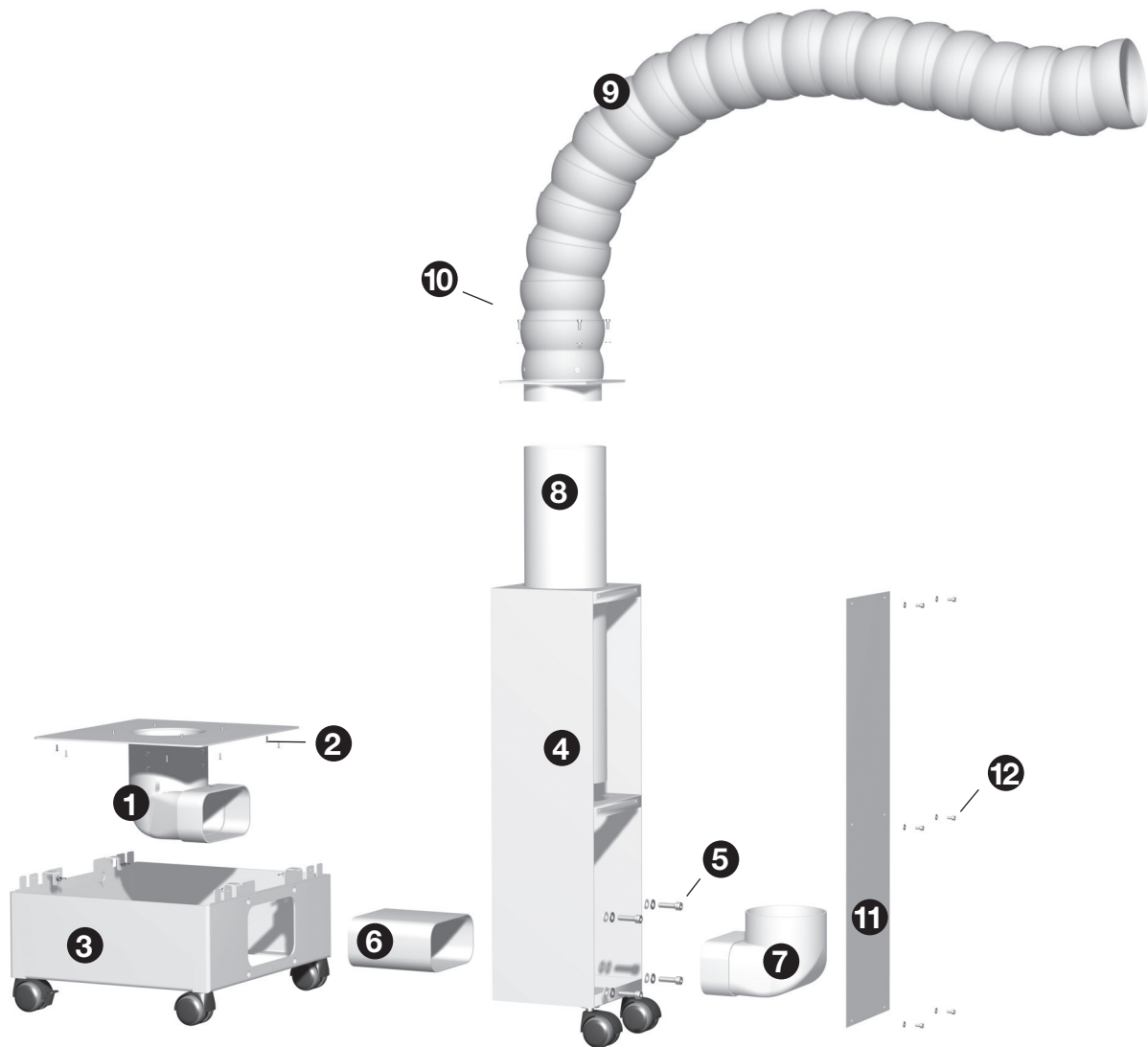


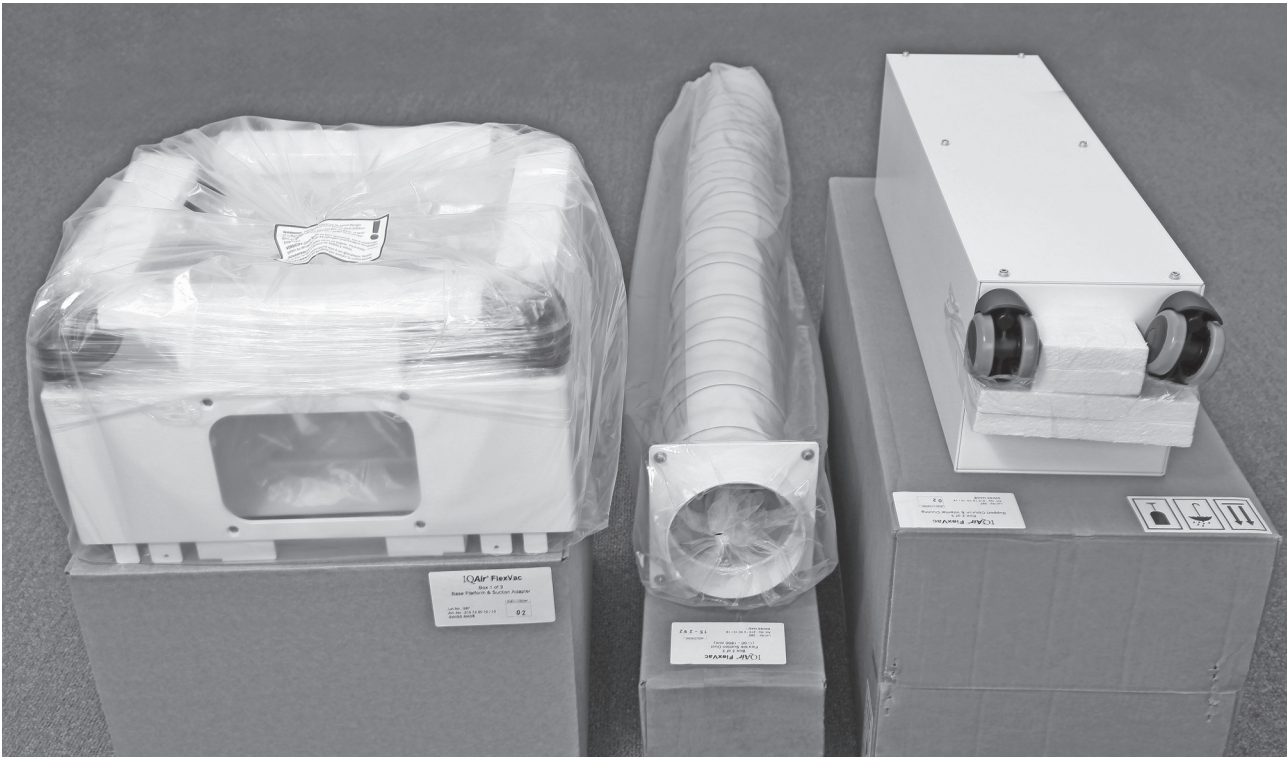
FlexVac[™] Mobile Source-Capture Kit



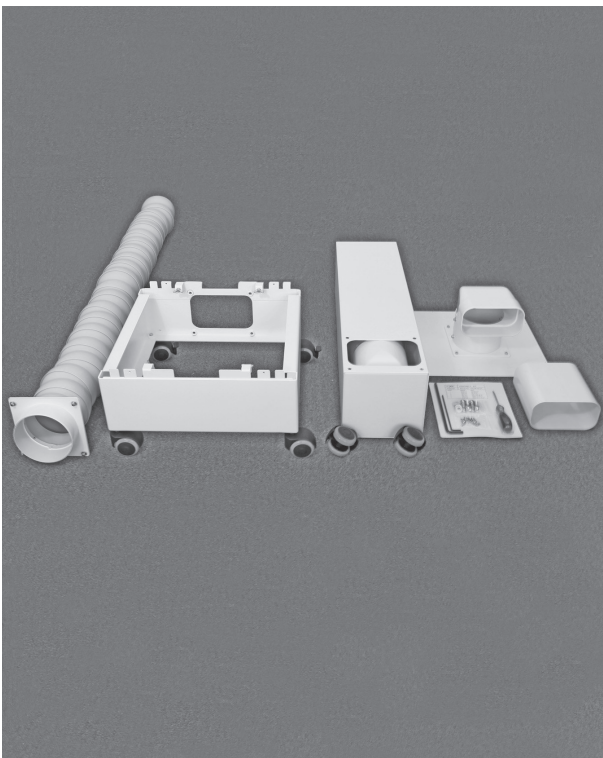
The IQAir[®] FlexVac[™] is supplied in three boxes, which contain the following items:

1. Suction adapter
 2. Eight Torx (T8) screws
 3. Base platform with casters
 4. Support column with casters
 5. Four M8 screws, metal & plastic washers
 6. Square extension duct
 7. Corner duct
 8. Connection tube
 9. FlexAir[™] multi-segment self-supporting duct
 10. Four M4 screws and plastic washers
 11. Support column cover
 12. Six M4 screws and plastic washers
- Tools (included, but not pictured):
Screwdriver with T8 bit
Allen wrench

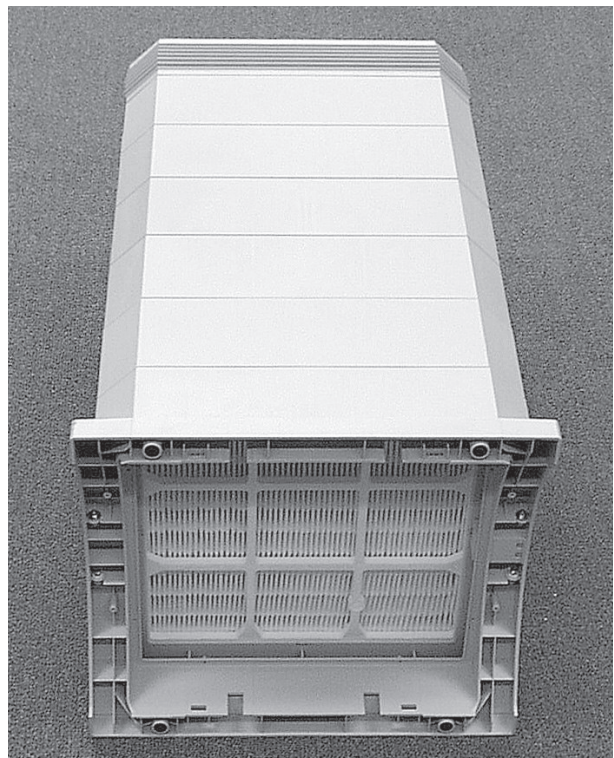
FlexVac™ Assembly Instructions



1 The IQAir FlexVac assembly kit is supplied in three boxes.

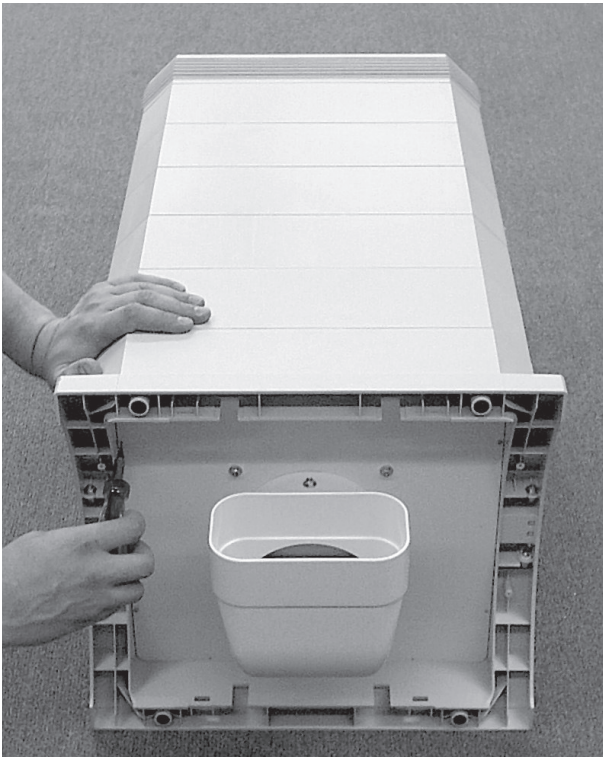


2 The boxes contain all FlexVac parts, screws, washers and assembly tools. Some of the parts are pre-fitted for quick assembly.

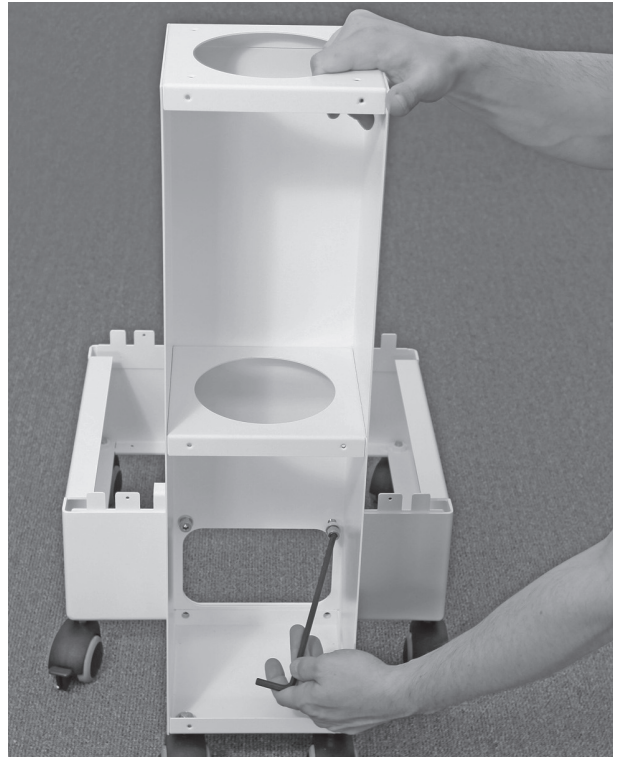


3 The first step is to attach the suction adapter to the base of the IQAir device. Carefully place the IQAir on its side. Do not lay the device down onto its side arms. To avoid scratching the IQAir housing, place the device on a soft surface, such as a towel.

FlexVac™ Assembly Instructions



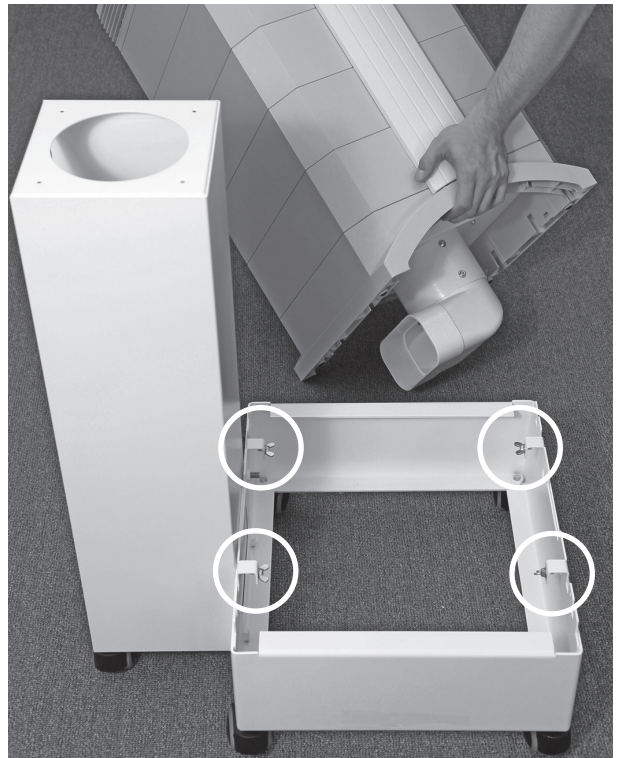
- 4** Position the suction adapter into the base of the IQAir device. Use the supplied Torx screwdriver to secure the adapter with the eight T8 screws. All screws must be equally tight to provide a good seal, but be careful not to over-tighten the screws.



- 5** Remove the cover from the support column by unscrewing the six M4 screws. Then fit the support column to the base platform with the four M8 screws and double set of washers.



- 6** The plastic washers should be positioned after the metal washers to prevent damage to the powder coating of the support column. Securely tighten all screws.



- 7** Remove the 4 butterfly screws and washers from the base platform. Carefully lift the IQAir device onto the base platform with the opening of the suction adapter duct facing the support column.

FlexVac™ Assembly Instructions



8 Once the IQAir device is perfectly centered above the base platform, press the device down.



9 Refit the 4 butterfly screws and washers to secure the IQAir system to the base platform.

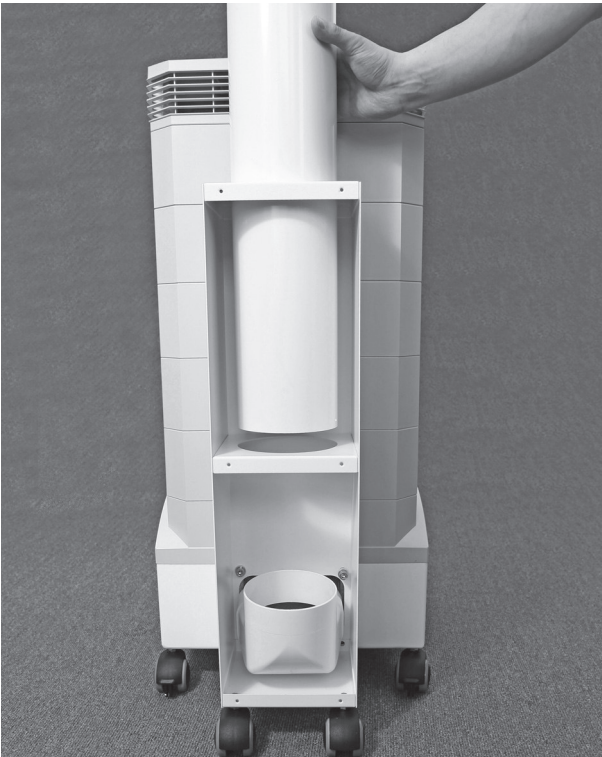


10 Place the square extension duct into the corner duct.

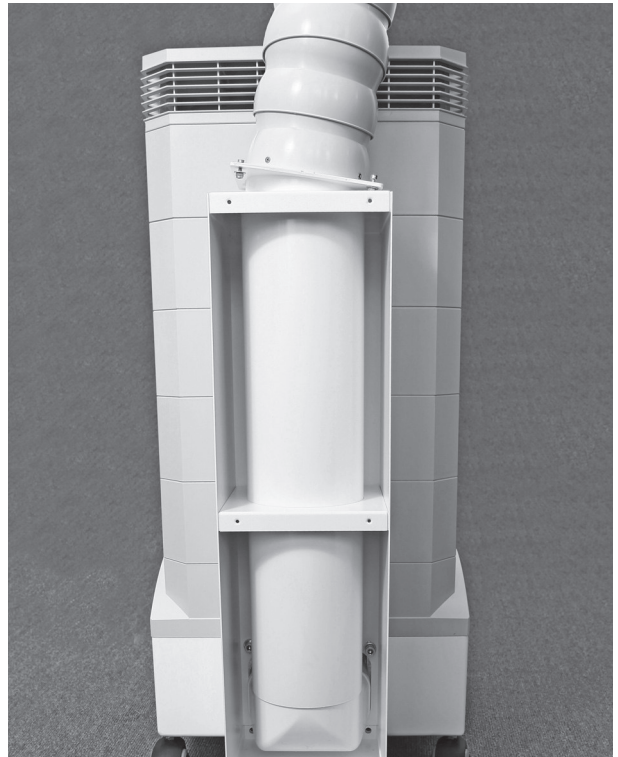


11 Then insert the square duct end through the hole of the base platform so that it mates up with the suction adapter. The pieces should fit together tightly.

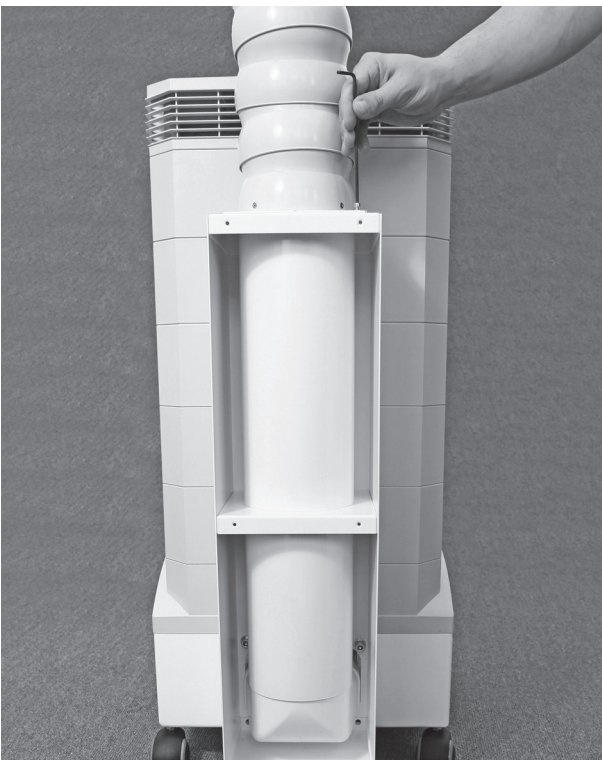
FlexVac™ Assembly Instructions



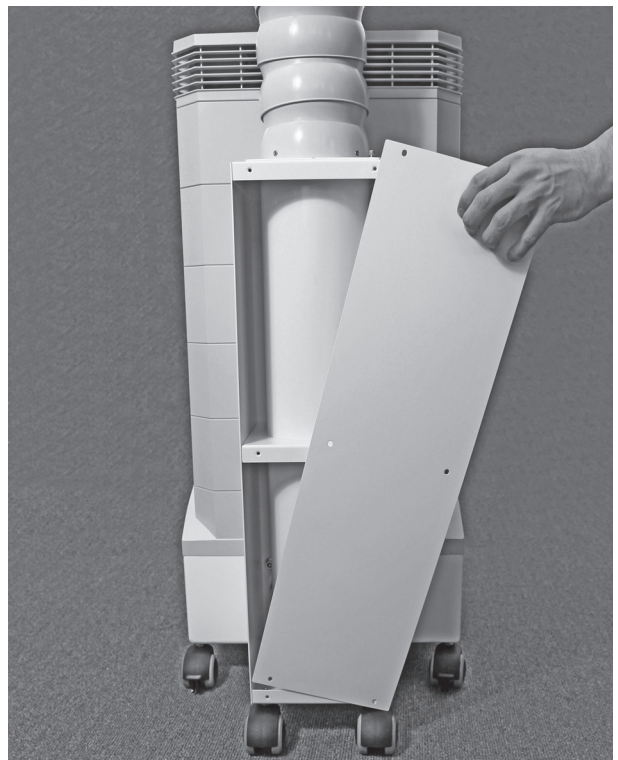
12 Insert the connection tube into the support column. The lower end of the connection tube piece slides over the corner duct.



13 Place the duct's mounting flange into the opening at the top of the support column and mate it up with the top end of the connection tube.



14 Secure the duct in place using the four M4 screws and plastic washers.



15 Replace the cover on the support column. The cover has a metal tab on the inside lower edge to assist with alignment of the panel. Secure with the six M4 screws and plastic washers.