

# Air Cleaners Australia

air purifier & filter specialists

104 Bell Street  
Heidelberg Heights VIC 3081  
Tel: 1300 301 951  
Email: info@aircleanersaus.com.au  
Web: www.aircleanersaus.com.au

---

## FOR YOUR RECORDS

Please record the model and serial number below, for easy reference, in case of loss or theft. These numbers are located on the back panel of your air purification unit. Space is also provided for other relevant information.

Name: \_\_\_\_\_ Phone: \_\_\_\_\_  
Address: \_\_\_\_\_  
Model Number: \_\_\_\_\_  
Serial Number: \_\_\_\_\_  
Date of Purchase: \_\_\_\_\_  
Distributor Name: AIRCLEANERS AUSTRALIA

## HE-141 7G Ozone Generator Commercial Air Purifier



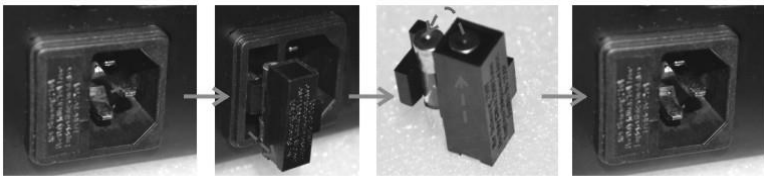
## OWNER'S MANUAL

Please read all of the information provided in this owner's manual before operating your new Commercial Air purifier.

## TROUBLESHOOTING

If you suspect a problem with your unit check the following:

- 1) Unit is plugged in properly.
- 2) It's important that the Ozone Generator Commercial Air purifier be properly grounded to avoid potential shock.
- 3) Fuse is installed properly and in good condition. To replace fuse, pull out the plastic fuse holder, remove old fuse and insert replacement fuse supplied (within plastic fuse holder). Refer to picture as follows: Replacement fuses must be 2 amp (0.79 inch).



- 4) Unit runs but no ozone – replace two ozone plates with spares supplied. Use qualified personnel only. See MAINTENANCE page.

## WARNING

**This air unit is not a medical device. Do not stop or alter any medical therapy programs or medications without the advice of your physician. Excessive ozone concentrations may cause mucous membrane or respiratory irritation.**

CAUTION

RISK OF ELECTRICAL  
SHOCK DO NOT  
OPEN



ATTENTION



**CAUTION: TO REDUCE THE RISK OF ELECTRICAL SHOCK, DO NOT REMOVE COVER. NO USER SERVICEABLE PARTS INSIDE. REFER SERVICING TO QUALIFIED SERVICE PERSONNEL.**

This “bolt of lightning” indicates that uninsulated material within your unit may cause an electrical shock. For the safety of everyone, do not remove product covering.

## OPERATION

**Read ALL instructions carefully before using this product.**

The ozone generator is designed to remove odors in unoccupied spaces. The unit has a timer that will enable it to run for a maximum duration of 2 hours. Or, select CONSTANT for continuous operation. The timer will then shut the machine off. You should allow 40 minutes before returning to the treated area.

To operate the Ozone Generator Air Purifier:

- Close off the desired area to be treated.
- Remove all occupants and pets.
- Position the unit as close as possible to the odor source.
- In such environments as motels that have individual heating and cooling systems, turn the fan on and set on re-circulate.
- Set timer to desired time and leave the room.
- Allow 40 minutes before re-entering the treated space.
- Return to space & ventilation area.

## INTRODUCTION

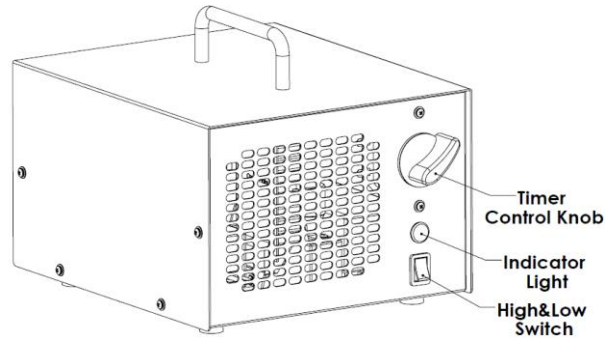
This commercial air purifier is an advanced and convenient contaminant remediation product. High-powered oxidation in a compact, light weight, rugged and simple design. Utilizing controlled corona discharge ozone technology developed specifically to reduce odors and smoke in unoccupied spaces, ideal for treatment for homes, office, automobiles & boats and More!

## SPECIFICATIONS

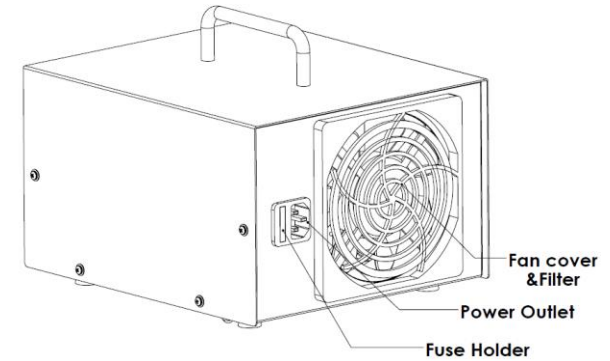
Model:	HE-141
Rated Voltage:	Europe AC 220-240V/50-60Hz USA/Japan AC 100-120V/50-60Hz
Power Consumption:	100W
Ceramic Plate Size(1plate):	90X50MM
Ozone Plate Lifespan:	6000 hours
Air Volume:	Max 100CFM(2.8M <sup>3</sup> /min)
Active Oxygen(on) :	3.5-7.0g/h
Sound Level(DB):	45 Db
Product size(mm):	W210xH180xD260MM
Weight:	2.9Kgs(6.38Lbs)
Coverage Area:	400 – 600 square meters

# Operating the Ozone Generator Air Purifier

(Front View)



(Back View)



PART	FUNCTION
------	----------

<b>Timer Control Knob</b>	Turn clockwise to set the timer for timed operation up to TWO hours. Anticlockwise CONSTANT for continuous running
---------------------------	--

<b>Indicator Light</b>	Illuminates when unit is in operation.
------------------------	--

<b>High-low switch</b>	ozone 7g or 3.5g change-over switch
------------------------	-------------------------------------

PART	FUNCTION
------	----------

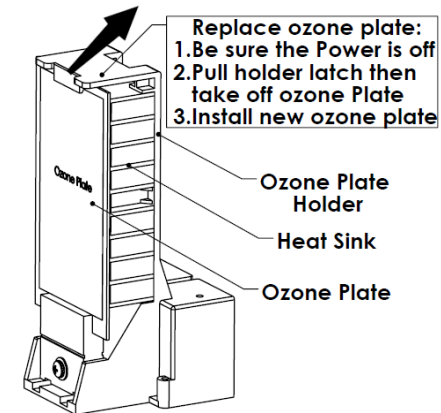
<b>Fuse Holder</b>	Houses removable fuse. (Spare fuse included, 2 amp, 0.79 inch in length)
--------------------	---

<b>Power Cord</b>	100~120 or 220~240 Volt grounded cord
-------------------	---------------------------------------

## MAINTENANCE

When the air purifier no longer produces enough ozone to be effective, the ozone plates must be replaced by a qualified electrician or appliance workshop. (Approx. after 6000hours). 2 Spares included.

### How to replace the ozone plate:



- 1) Turn the unit off and unplug from outlet.
- 2) Use a screw driver to unfasten cover screws. Remove cover.
- 3) Pull ceramic plate out of ozone generator module.
- 4) Install ceramic plate as shown in above figure (be careful not to drop or soil the plate).

## SERVICE AND WARRANTY

The ozone generator commercial air purifier comes with a 1 Year Limited Warranty.

This device is warranted to be free from all defects in material in normal use for a period of 1 year from date of purchasing. The warranty is granted only to the original purchaser. This warranty provides for the repair or replacement (at retailers discretion) of the unit. Return of the unit at customer's expense. Return to customer at retailer expense if a warranty situation.

This warranty does not cover replacement or installation of wearable parts under normal use such as the ozone plates or fuses.

Any damages or malfunctions caused by negligence, abuse, or use not in accordance with the owner's manual are not covered by this warranty. Likewise, any defects or damages caused by unauthorized service.